

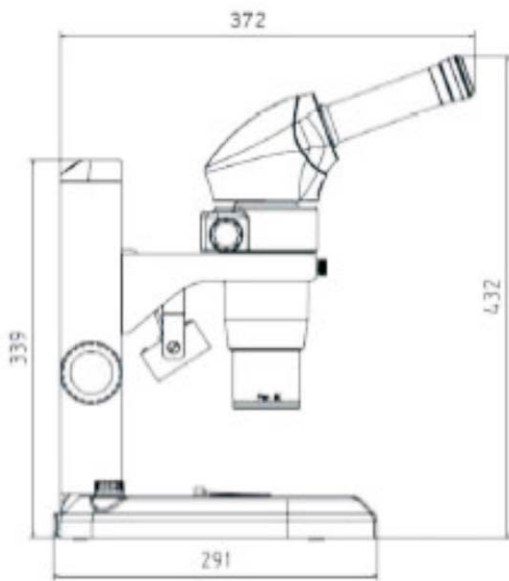
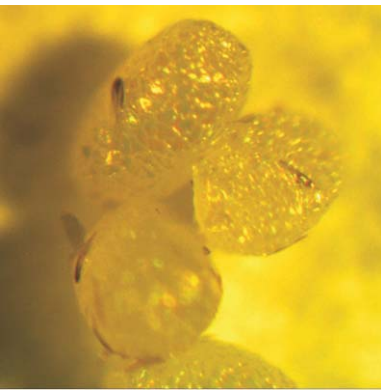


CS-S8000F Series

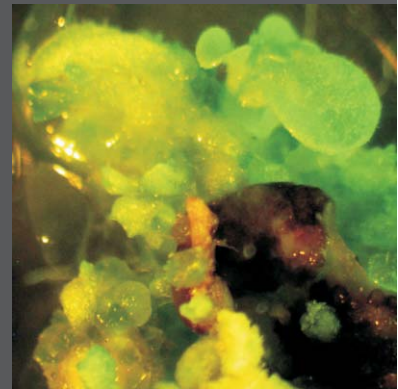
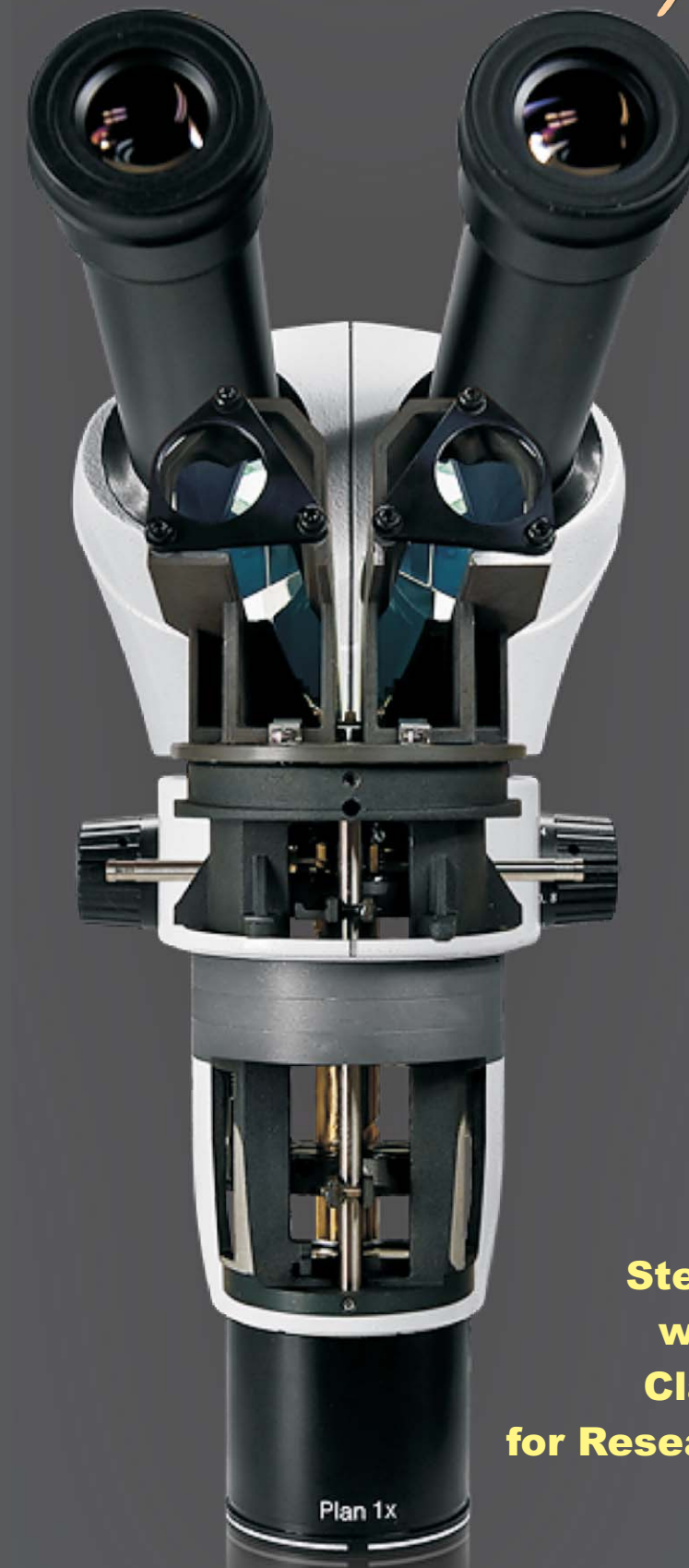
The CS-S8000 series can be equipped with the fluorescent attachment, which consists of Blue and Green excitation filters, Mercury lamp, power supplier and the fluoroscope box.

Two stereo head versions are available - a fixed 20° binocular head or an ergonomic head with adjustable inclination from 5 up to 35°. The stereomicroscope is mounted on an ergonomic stand, with both incident and transmitted LED illumination. Both illuminations can be adjusted with separate knobs.

A dual iris diaphragm can be added to the stereomicroscope in order to achieve maximum contrast and depth of focus.



Configuration Chart



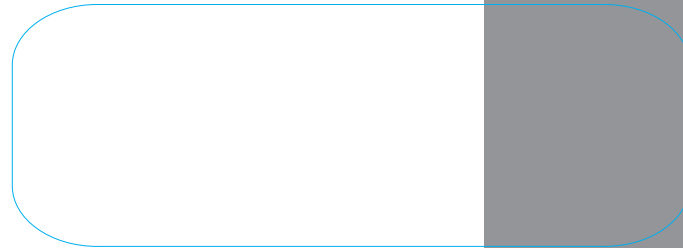
**Ergonomically
Designed
Stereomicroscope
with Exceptional
Clarity & Comfort
for Research & Industry**

**CS-S8000 Series
CatScope**

Specifications and equipment are subject to change without any notice or obligation on the part of the manufacturer. Copyright © CATALYST BIOTECH. PLEASE READ THE CORRESPONDING MANUALS CAREFULLY BEFORE USING YOUR EQUIPMENT.



Our Authorised Distributor :



Catalyst Biotech

C-302, Third Floor, Anupam CHS Ltd.
Plot No.: 79, Panvel - 410 206.
Maharashtra - India.
E-mail : catalyst@catalystbiotech.com
Website : www.catalystbiotech.com

Catalyst Biotech

CatScope CS-S8000 series stereomicroscope is designed around a highly precise Infinity Parallel Zoom body equipped with a Plan Apochromatic corrected common main objective providing the necessary high contrasting images.

Ergonomic design ensures comfortable and accurate operation in a natural posture. Unrivalled optical performance, ergonomic design and a variety of accessories are available to meet your requirements. Chromatic and Spherical aberrations, that cause surface irregularities in the image, has been corrected to provide stereoscopic images that appear undistorted and in all their brilliant, true-to-life colors.



Technical Specifications of CS-S8000 Series

Model	CS-S8060	CS-S8080	CS-S8100
Optical System	Infinity Parallel Optical System		
Head	Binocular Head, Inclined at 20° and 360° rotatable, with One Photo Tube Attachment Interpupillary Distance adjustment range: 51 - 75mm, Diopter Adjustment: ±5° for both the eyes		
Eyepiece	WF 10X/22mm		
Objectives	Anti-fungal, Plan Achromatic 1X Objective		
Zoom Ratio	1 : 6	1 : 8	1 : 10
Magnification	0.8x - 5x	0.8x - 6.4x	0.8x - 8x
Working Distance	78mm		
Focusing Range	105mm		
Stand & Stage	Pillar Style Stage diameter: Ø 90mm; Frosted Glass & Black/White Circular Plate		
Focusing	Coaxial drive control by Metal Rack & Pinion Mechanism		
Illumination	Incident & Transmitted LED Illumination with Adjustable brightness		
Power supply	85V-240V Universal Power Supply		
Warranty	Two years against any manufacturing defects. One year on electronic components.		

Options in-lieu of mentioned standard specification:

- » Ergonomic head with adjustable inclination from 5 up to 35°



CS-S8000 Series can be upgraded with the following:

- » Eye-Piece 20x/12mm
- » Eye-Piece 15x/16mm
- » Iris Diaphragm
- » Achromatic 0.3x Objective
- » Plan Apochromatic 0.5x Objective
- » Plan Achromatic 2x Objective
- » Micro-Photography
- » Simple Polarization Set
- » Temperature Controlled Stage
- » Cold Light Illumination with Dual Light Guide

Optical Details of CS-S8000 Series

Objectives	Working Distance (mm)	Zoom Ratio*	Total Magnification	
			10x Eyepiece	20x Eyepiece
0.5x	187mm	1 : 6	4x - 25x	8x - 50x
		1 : 8	4x - 32x	8x - 64x
		1 : 10	4x - 40x	8x - 80x
1.0x	78mm	1 : 6	8x - 50x	16x - 100x
		1 : 8	8x - 64x	16x - 128x
		1 : 10	8x - 80x	16x - 160x
2.0x	35mm	1 : 6	16x - 100x	32x - 200x
		1 : 8	16x - 128x	32x - 256x
		1 : 10	16x - 160x	32x - 320x

* Zoom Ratio with respect to models are : CS-S8060 (1:6); CS-S8080(1:8); CS-S8100(1:10)

**Advanced High-Quality Optical Technology...
with Basic Human Touch!!**

Catalyst Biotech