



**CS-S7000**

# **CatScope**



**Advanced High-Quality Optical Technology...**  
**with Basic Human Touch!!**

## Powerful Performance with Ergonomic Design

Integrated with knowledge, technology and creativity, the CatScope CS-S7000 offers superior optical performance as well as ergonomic design, with innovative modules.

Optical system with high resolution, true color reproduction and low distortion is one of the key characteristic, which provide with clear images for better analysis.

Ergonomic design has been carefully implemented to improve efficient usage and minimize operators' fatigue. Ideal position and angle of each module, compact size and high quality provide users friendly environment for any task given. Helps to reduce fatigue in long-duration inspection.

Variety of objective lenses and eyepieces allow user to combine the optical system for any propose and work or R&D environment. Customized stand and digital application guarantee the best resolution in any environment.





### Greenough Optical System

Efficient Greenough Optical System offers you more superior flatness and outstanding depth of focus. Lens coating and material are carefully selected to provide the best result to minimize the distortion and color aberration.

### Compact Design

Compact microscope with large base for variety of specimens offer you optimized inspection environment. Ergonomic design minimizes the operators' fatigue and maximizes the work efficiency.

### Effective 6.7:1 Zoom

Most widely used and broadly accepted 6.7:1 zooming design provide more effective working environment. Longer working distance offers you better quality control of specimens and samples.

### Effective task execution

Carefully selected lens and coating materials can improve the operation efficiency and minimize eye fatigue drastically.



## User friendly Ergonomic Design

Extreme eye comfort and easy operability.

### Viewing Head

Observation tube is designed to be adaptable for any kind of observation needs. Trinocular heads are suitable for video port output for digital application. 60° degree inclination tube is also available to meet special and customized need.

### Comfortable Zoom Knob / Focus Knob / Click Stop

Careful polyurethane material selection in zoom knobs and focus dials to assure the comfort in any operation. To achieve repetitive zooming change Click Stop function has been implemented to improve work efficiency.





Highly stringent criteria design to minimize aberration and distortion with ideal coating technology and lens materials.

#### High resolving power objective lens

Low distortion, longer working distance, ideal lens combination and design offer you a better observation environment for any specimen. Ideal selection of lens and coating materials guarantee the fidelity of color reproducibility and their longevity. Interchangeable objective lens can adapt the microscope for any working environment.

#### Auxiliary Objectives

Working distance and magnification can be accordingly adjusted by using different auxiliary objectives. Six options are available: 0.3x, 0.4x, 0.5x, 0.7x, 1.5x and 2.0x

#### Eyepiece

High eye point design and aberration correction are another advantages of CatScope eyepieces. They provide with the optimal visual field for low acuity power users. High Eye Point eyepiece design provides comfort view with operation with a pair of glasses or with low visual acuity. The diopter control is easily achieved from the eyepieces.





### High Intensity LED

Low energy consumable and durable LED provide suitable transmission or reflection.

LED lighting has been proved to reproduce real color without affecting specimen by its excess of color temperature providing longer lifetime and low energy cost.

In case of models with transmitted as well as reflected illumination, independent intensity adjustable knob for both are provided.

### Optional Illumination Accessories



1. External Oblique Illuminator
2. LED Ring Light
3. Cold Light source
4. Fluorescent Ring Light
5. Dark field condenser and gem clip



Standard Focus Arm CS-SA1:  
Rack and rail type focusing system,  
knob tension adjustable.  
Focusing range: 50mm.



Industrial Bonding Focus Arm CS-SA2:  
Plain focus arm, rack and dovetail type  
focusing system. Focusing range: 50mm



Industrial Bonding Focus  
Arm CS-SA3:  
Plain focus arm with industrial  
bonding adapter, rack and rail  
focusing system.  
Flexible observation.  
Focusing range: 50mm

## Various Focus arms and stands to suit different observation demands



Small plain base with pillar  
stand CS-SS5: used with  
CS-SA1



Big plain base with pillar  
stand CS-SS6: used  
with CS-SA1



Transmitted (LED) base with  
pillar stand CS-SS6: used  
with CS-SA1; built-in  
self-adapting wide voltage  
100-240V; with high LED light



Integrated stand and base  
CS-SS7: built-in self-adapting  
wide voltage 100-240V;  
high bright LED light  
(Single 5W bulb)



Integrated stand and base  
CS-SS9, built-in condenser  
and adjustable reflecting  
mirror; reflecting illuminator  
can be assembled.



Integrated stand and  
base CS-SS10: new  
ergonomic design,  
more stable.



Single-arm pillar stand  
CS-SS11: observation  
scope being expanded,  
any direction and angle  
is available. All the  
standard focus arms  
can be assembled.



Double-arm pillar stand  
CS-SS12: double-arm  
structure, more stable. All  
the standard focus arms  
can be assembled.



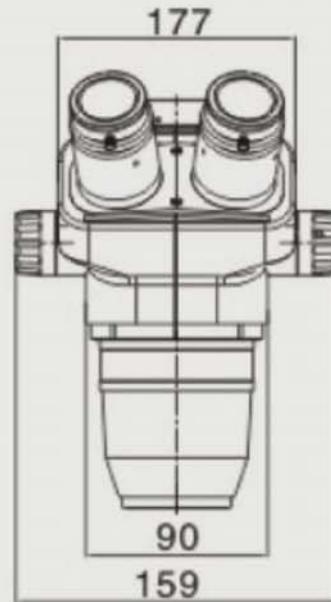
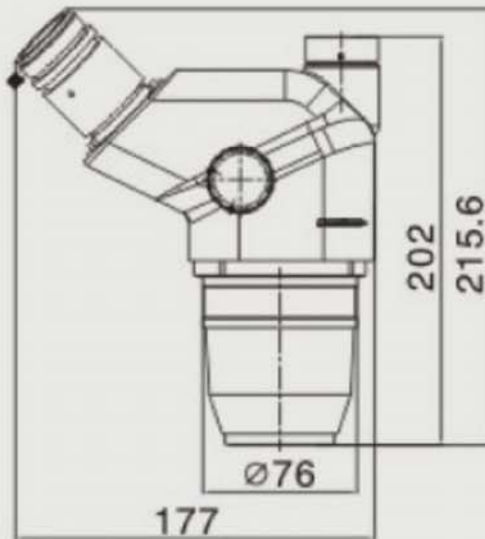
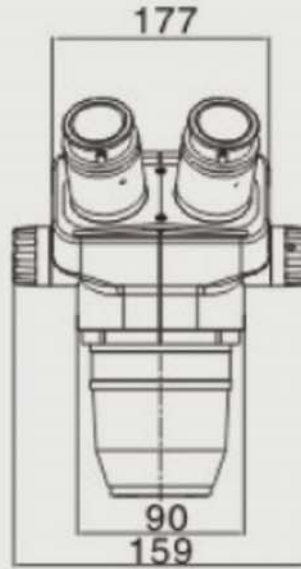
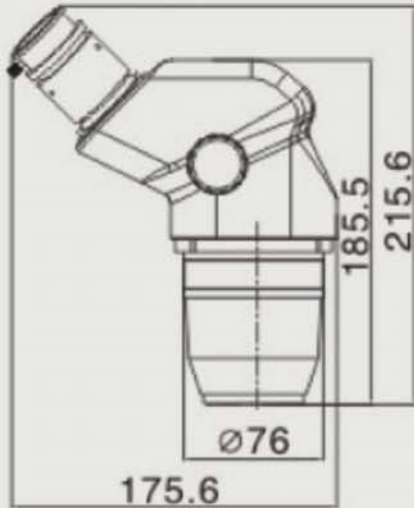
Transmitted base with pillar  
stand CS-SS13: used with CS-SA1;  
bottom illumination 12V/15W  
halogen, intensity adjustable.



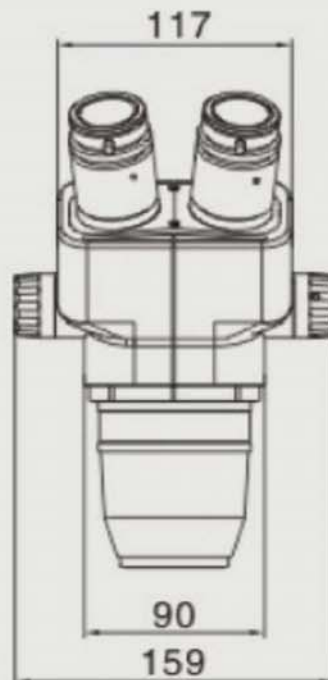
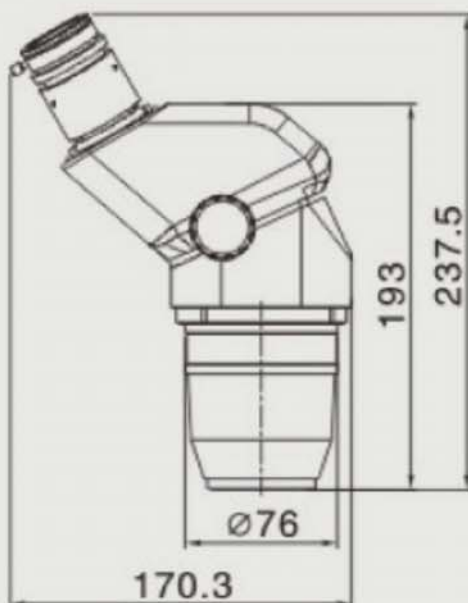


## System Dimensions:

CS-S7000 (45° inclined)



CS-S7000 (60° inclined)



## Technical Specifications of CS-S7000

<b>Model</b>	<b>CS-S7000</b>
<b>Optical System</b>	Infinity Parallel Optical System
<b>Head</b>	Binocular Head, Inclined at 45° and 360° rotatable, Interpupillary Distance adjustment range: 54 - 76mm, Diopter Adjustment: ±5° for both the eyes
<b>Eyepiece</b>	EWF 10X/22mm
<b>Objectives</b>	Anti-fungal, Plan Achromatic 1X Objective
<b>Zoom Ratio</b>	1 : 6.7
<b>Zoom Range</b>	0.67x - 4.5x
<b>Working Distance</b>	100mm
<b>Focusing</b>	50mm, Tension Control Knob
<b>Stand &amp; Stage</b>	Pillar Style Stage diameter: Ø 100mm; Frosted Glass & Black/White Circular Plate
<b>Focusing</b>	Coaxial drive control by Metal Rack & Pinion Mechanism
<b>Illumination</b>	Incident & Transmitted LED Illumination with Adjustable brightness
<b>Power supply</b>	85V-240V Universal Power Supply
<b>Warranty</b>	Two years against any manufacturing defects. One year on electronic components.

### Options in-lieu of mentioned standard specification:

- » Trinocular Head with C-Mount adaptor
- » Zoom range : 0.8x - 5x

### CS-S7000 Series can be upgraded with the following:

- » Eye-Pieces - WF30x/8mm, WF20x/12mm, WF15x/16mm
- » Auxiliary Objectives - 0.3x, 0.4x, 0.5x, 0.7x, 1.5x, 2.0x
- » Micro-Photography
- » Temperature Controlled Stage
- » Cold Light Illumination - Ring Light, Dual Light Guide

Specifications and equipment are subject to change without any notice or obligation on the part of the manufacturer.  
Copyright © CATALYST BIOTECH. PLEASE READ THE CORRESPONDING MANUALS CAREFULLY BEFORE USING YOUR EQUIPMENT.



# Catalyst Biotech

C-302, Third Floor, Anupam CHS Ltd.  
Plot No.: 79, Panvel - 410 206.  
Maharashtra - India.  
E-mail : [catalyst@catalystbiotech.com](mailto:catalyst@catalystbiotech.com)  
Website : [www.catalystbiotech.com](http://www.catalystbiotech.com)

Our Authorised Distributor :